



Installation instructions, accessories

Volvo Car Corporation Gothenburg, Sweden

Instruction No	Version	Part. No.
31373261	1.0	31359466

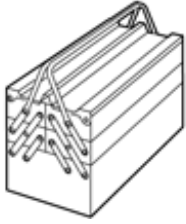
Towbar, hitch



Installation instructions, accessories

Volvo Car Corporation Gothenburg, Sweden

Equipment



IMG-345497



IMG-239664

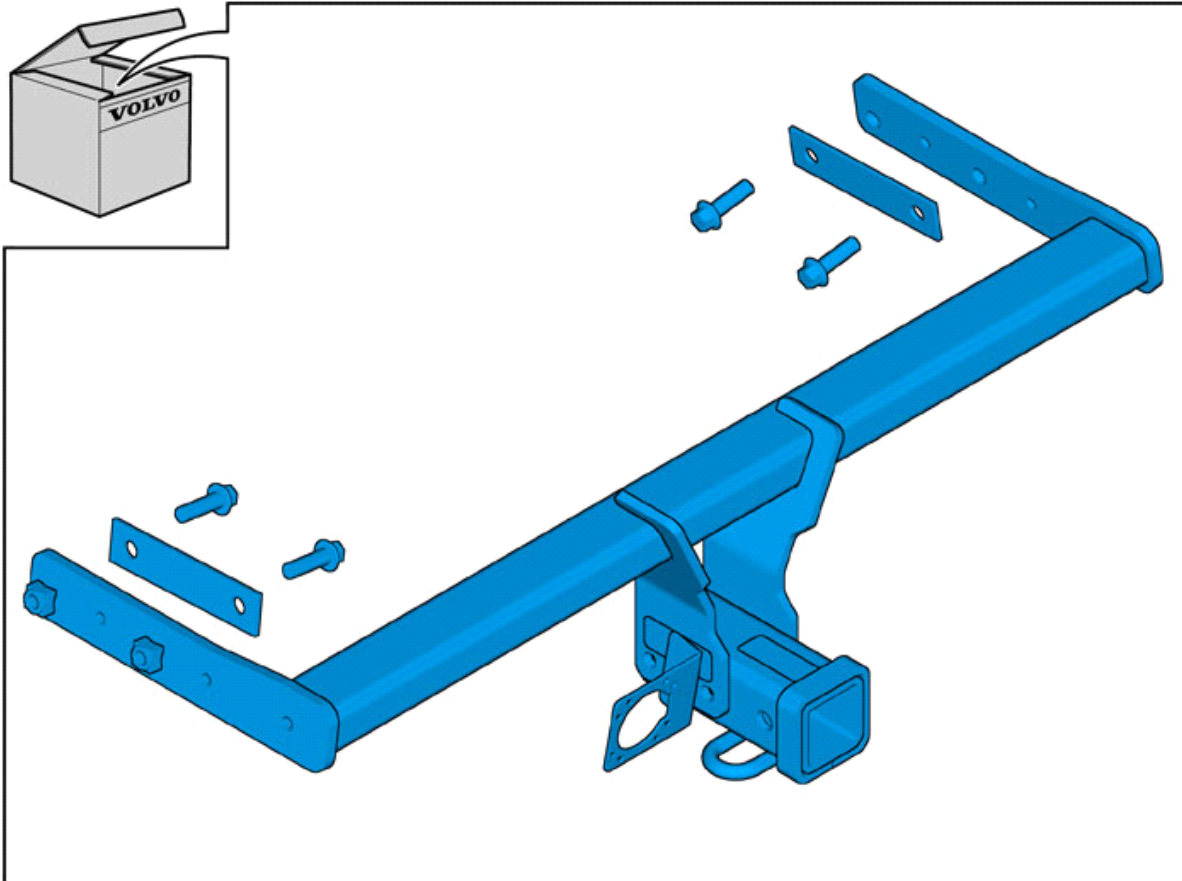
Nm
lbf.ft



IMG-239660



IMG-240693

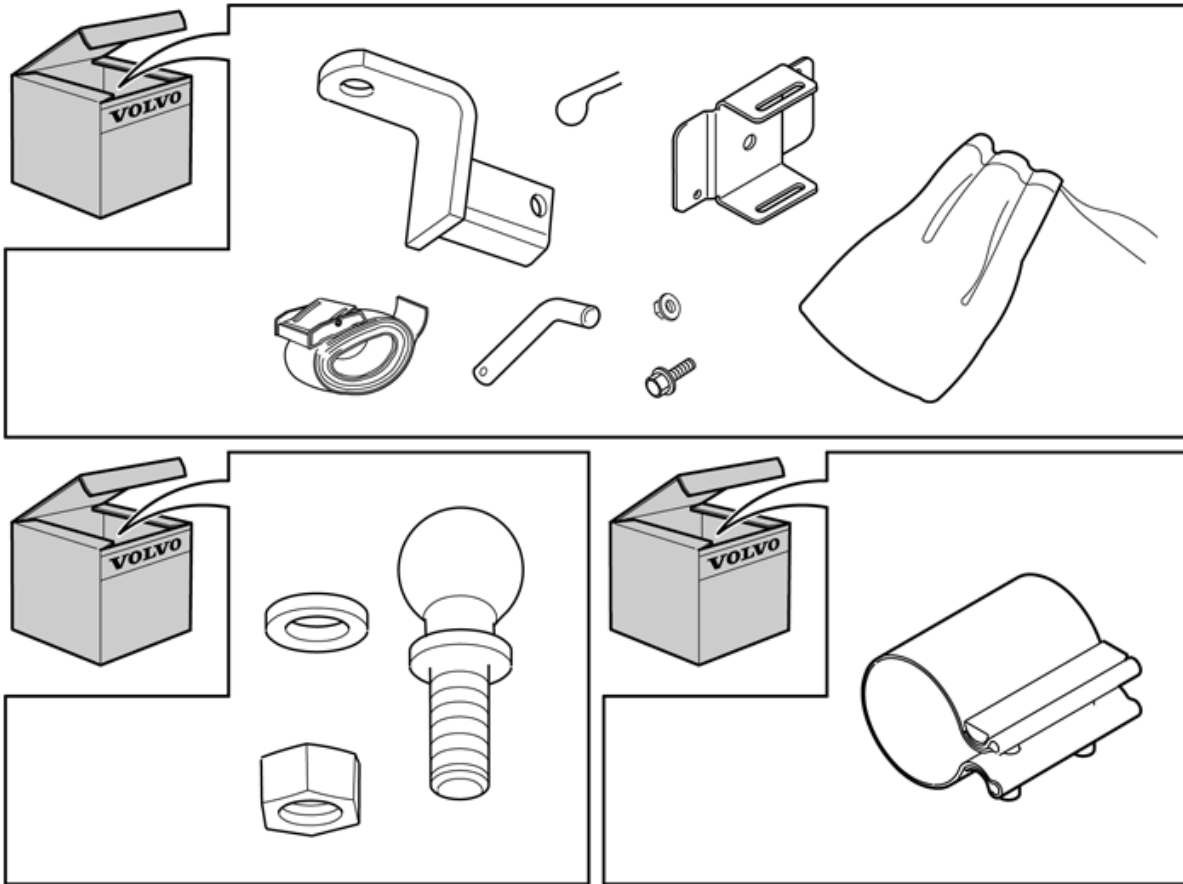


IMG-364332



Installation instructions, accessories

Volvo Car Corporation Gothenburg, Sweden



IMG-364309



Installation instructions, accessories

Volvo Car Corporation Gothenburg, Sweden

INTRODUCTION

Read through all of the instructions before starting installation.

Notifications and warning texts are for your safety and to minimise the risk of something breaking during installation.

Ensure that all tools stated in the instructions are available before starting installation.

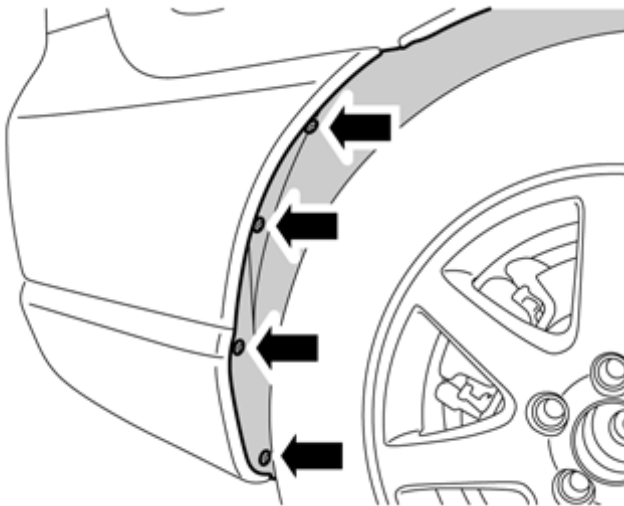
Certain steps in the instructions are only presented in the form of images. Explanatory text is also given for more complicated steps.

In the event of any problems with the instructions or the accessory, contact your local Volvo dealer.

Note!

Some steps in these installation instructions are presented with illustration only.

1



IMG-247266

Removal

Remove the four screws holding the end of the rear bumper.

Repeat the operation on the other side.

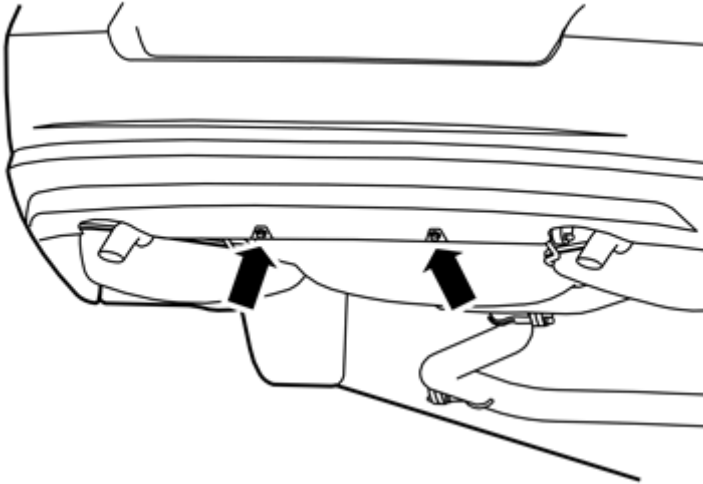


Installation instructions, accessories

Volvo Car Corporation Gothenburg, Sweden

2

Remove the two nuts at the lower edge of the bumper cover.

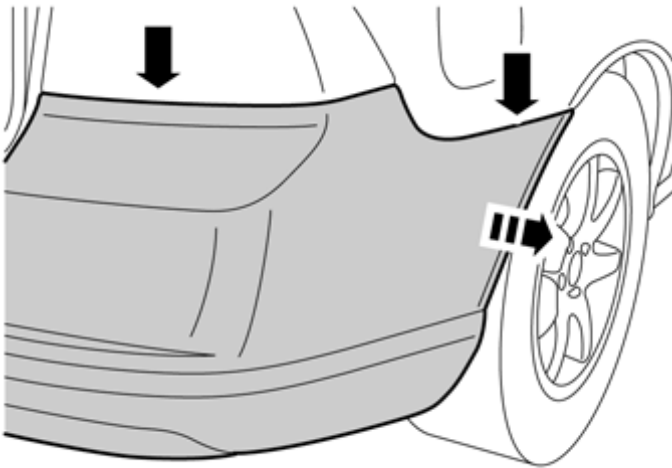


IMG-211568

3

Pull the corner straight out, continue to pull the bumper cover backwards until the five clips at the upper edge release.

Repeat the operation on the other side.



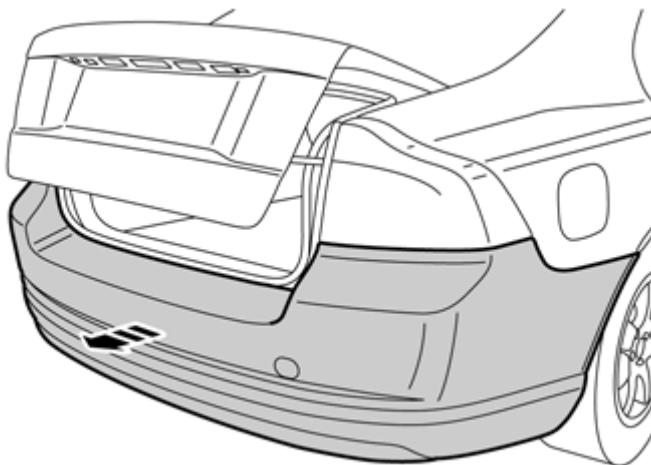
IMG-247267

4

Open the boot lid.

Remove the bumper cover by pulling it backwards until the three catches opposite the tailgate opening have released.

Unplug the parking assistance connector (if fitted).



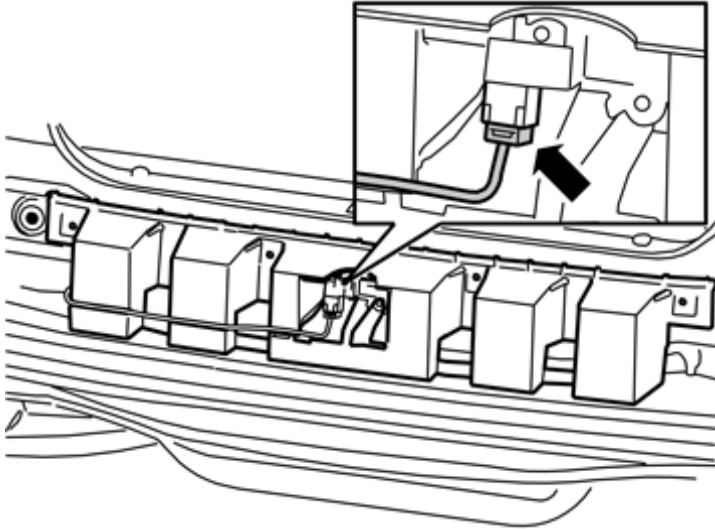
IMG-247268



Installation instructions, accessories

Volvo Car Corporation Gothenburg, Sweden

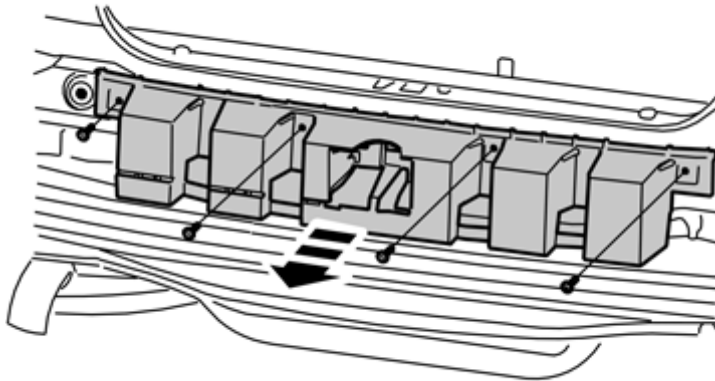
5



IMG-213380

Detach the connector and cable from the shock-absorbing section above the impact member.

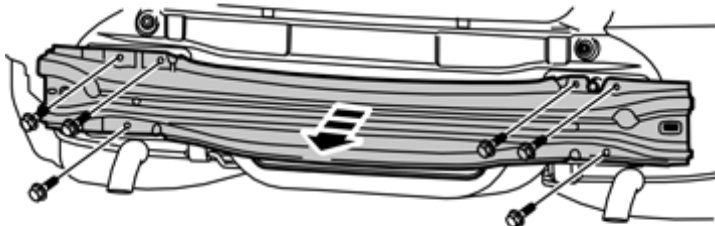
6



IMG-225149

Remove the screws and remove the shock-absorbing section above the impact member.

7



IMG-225150

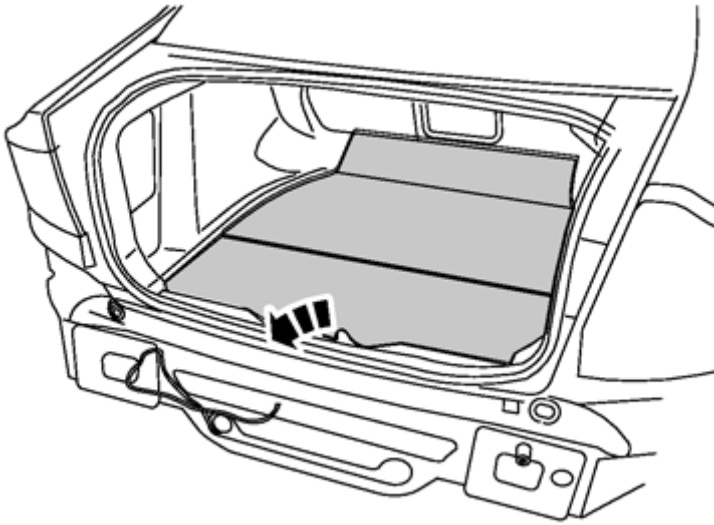
Remove the screws and remove the impact member.



Installation instructions, accessories

Volvo Car Corporation Gothenburg, Sweden

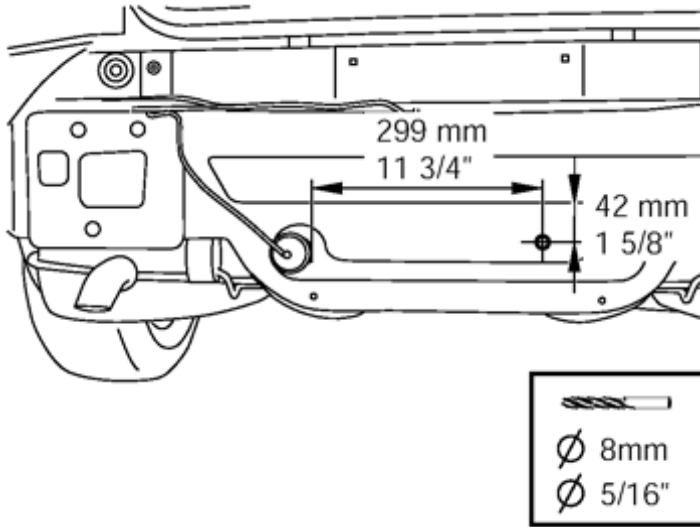
8



IMG-249627

Lift out the cargo compartment carpet.

9



IMG-249626

Applies to vehicles without spare wheel

Detach the rubber grommet and measure the horizontal distance from the edge of the hole.

Note!

Check that there are no cable harnesses obstructing the hole drilling process.

Measure out for drilling a hole for the screw for the towball holder, and drill out the hole with a **Ø8 mm (5/16 ")** diameter drill bit.

Deburr the edges of the hole, apply rustproofing agent and remove the drill swarf.

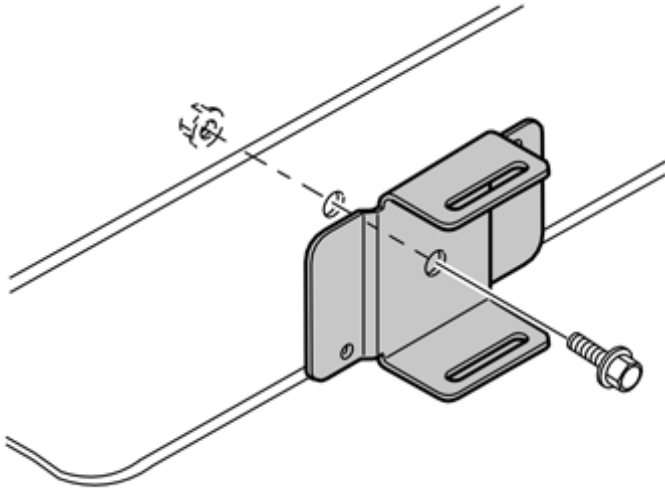
Reinstall the rubber grommet.



Installation instructions, accessories

Volvo Car Corporation Gothenburg, Sweden

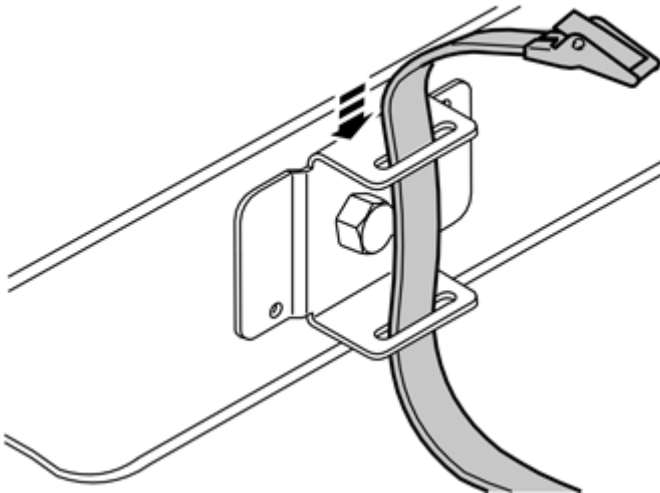
10



IMG-226142

Install the holder on the inside of the rear crossmember, and tighten it in using a screw and nut from the kit. Torque tighten to **10 Nm (7.5 lbf.ft.)**.

11



IMG-226143

Take the belts from the kit.

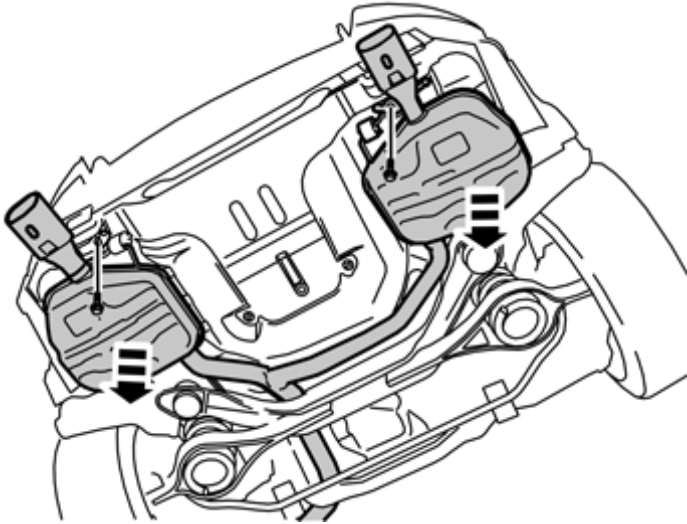
Thread the strap in the holder.



Installation instructions, accessories

Volvo Car Corporation Gothenburg, Sweden

12



IMG-225151

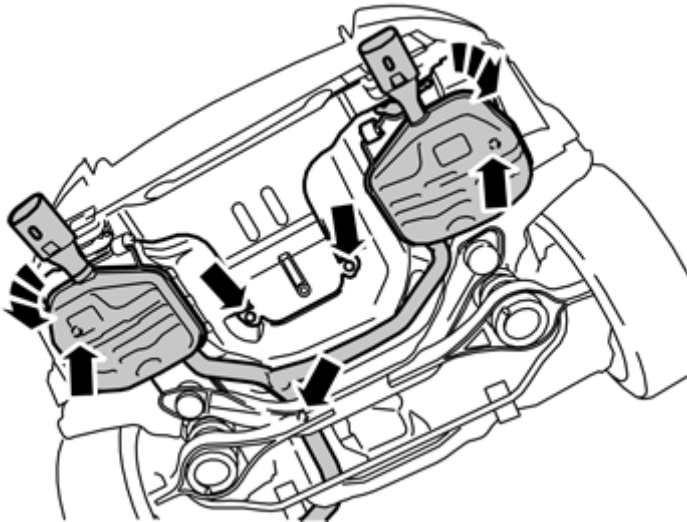
Applies to cars with twin rear silencers.

Remove the screws in the rear mountings on the right and left-hand sides of the silencers and lower down to the stop.

Applies to cars with single rear silencer

Remove the screw in the rear mounting on the left-hand side of the silencer and lower down to the stop.

13



IMG-225152

Applies to cars with twin rear silencers.

Remove the clips to the heat deflector plate on the right and left-hand sides and fold it down toward the silencer so that the holes on the inside of the rear side members are accessible.

Applies to cars with single rear silencer

Remove the clips to the heat deflector plate on the left-hand side and fold it down toward the silencer so that the holes on the inside of the rear side member are accessible.



Installation instructions, accessories

Volvo Car Corporation Gothenburg, Sweden

14

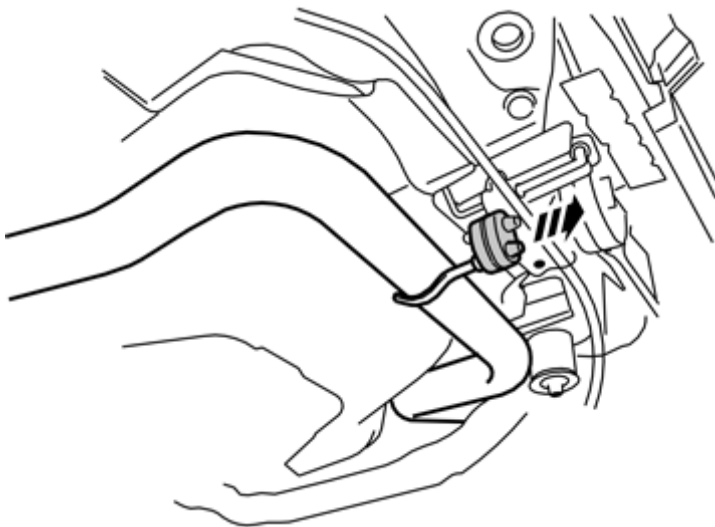


IMG-225153

Applies to vehicles with 8 cylinders, 6 cylinders and four wheel drive

Detach the exhaust system rubber mounting in the body behind the centre silencer by the fuel tank.

15



IMG-225154

Applies to other variants

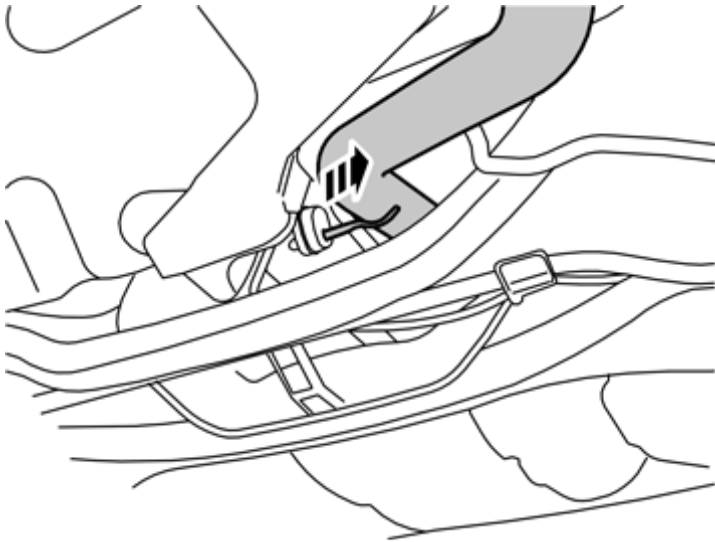
Detach the exhaust system rubber mounting in the body behind the centre silencer by the fuel tank.



Installation instructions, accessories

Volvo Car Corporation Gothenburg, Sweden

16

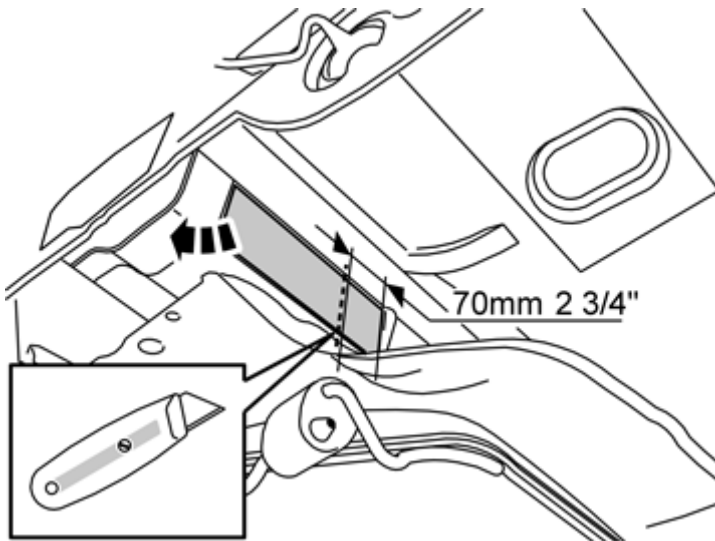


IMG-225155

Applies to all vehicles

Detach the exhaust system rubber mounting in the body above the front edge of the subframe.

17



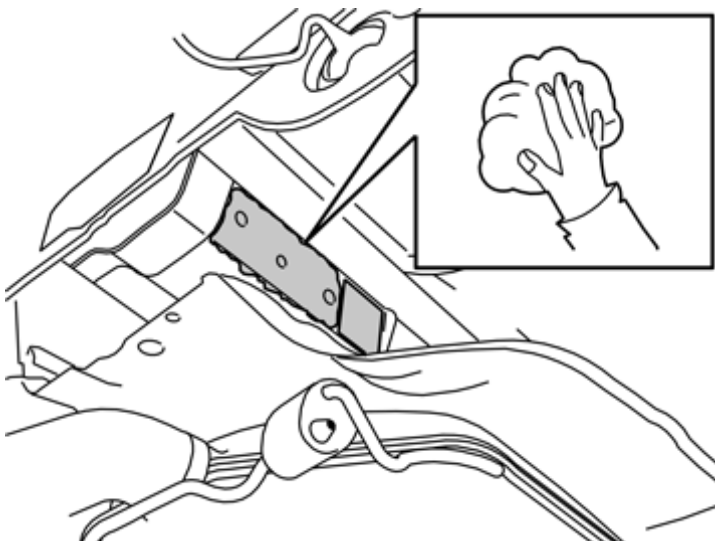
IMG-230735

Now angle the silencer and radiation shield down to gain optimum accessibility to the holes for mounting the towing member.

Measure out a distance of **70 mm (2 3/4")** from the centre in the embossing on the insides of the side members and backwards on the protective tape covering the mounting holes for the towing member.

Cut off the protective tape and discard the long rear section.

18

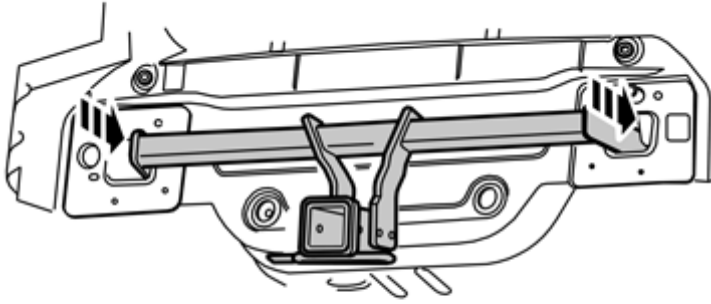


IMG-230736

Thoroughly clean away splashes of underseal, putty or dirt from the plate surfaces on the insides of the side members where the reinforcements shall be located.



19



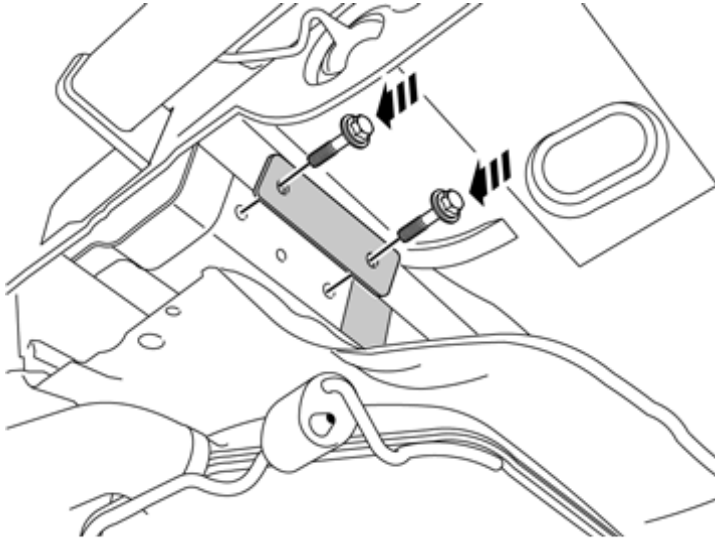
IMG-228969

Accessory installation

Check that the contact surfaces inside the side members are clean, if not, clean them opposite where the towing member's side plates shall be tightened.

Take the towing member from the kit and insert the two side plates in the holes in the rear edge of the side members.

20

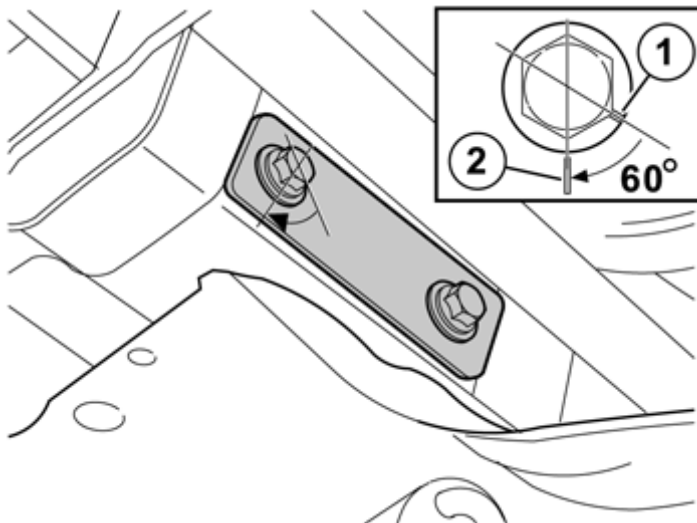


IMG-249373

Take screws and the reinforcement bar from the kit. Get assistance to hold and adjust the position of the towing member when the screws are installed in the towing member's weld nuts. The silencer and deflector plate need to be pressed down to allow the screws and reinforcement bar to be positioned and torque tightened.

Tighten the screws alternately on both sides.

21



IMG-249374

Note!

When angle tightening screwed joints in a confined spaces, a protractor, applied to the torque wrench, cannot be used. A hex head screw is used to determine the turning angle instead.

Tighten the screws to **90 Nm (66.5 lbf.ft.)** and **angle tighten to 60°**.

Make a mark on the screw head flange (1).

Make a second mark (2) on the reinforcement bar.

Now tighten the screw so that the screw head marking (1) lines up with the marking (2) on the reinforcement bar.

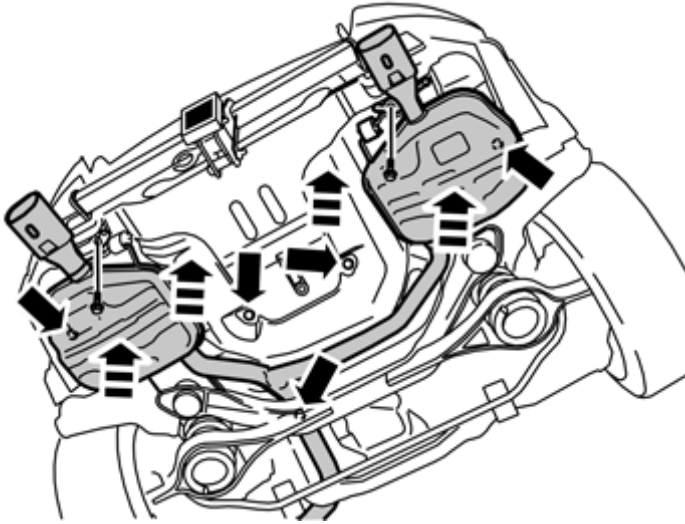


Installation instructions, accessories

Volvo Car Corporation Gothenburg, Sweden

Repeat for all screws.

22

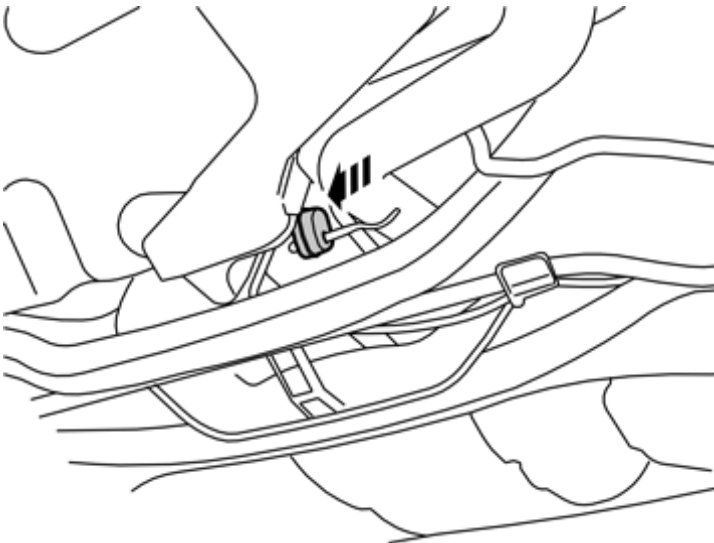


IMG-228985

Reinstall the heat deflector plate and the rear mountings for the silencer. Torque tighten the mounting screws to **50 Nm (37 Lbf.ft.)**.

Carry out the equivalent operation on the right-hand side for cars with double rear silencer.

23



IMG-225406

Reinstall the exhaust system rubber mounting in the body above the front edge of the subframe.



Installation instructions, accessories

Volvo Car Corporation Gothenburg, Sweden

24

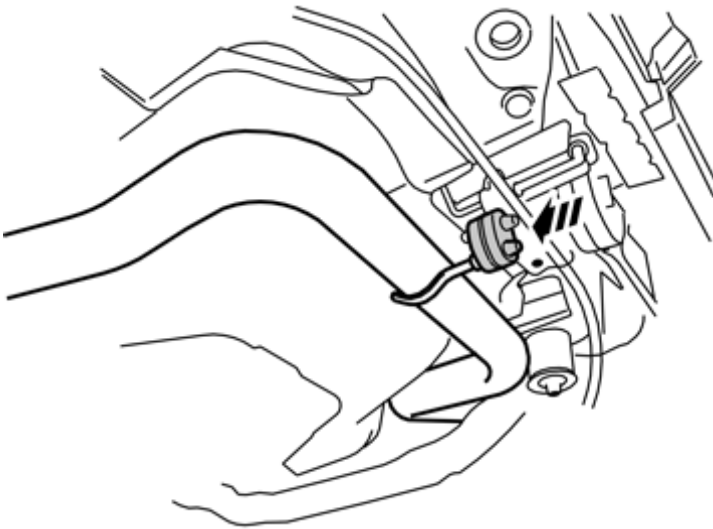


IMG-225404

Applies to vehicles with 8 cylinders, 6 cylinders and four wheel drive

Reinstall the exhaust system rubber mounting in the body behind the centre silencer by the fuel tank.

25



IMG-225405

Applies to other variants

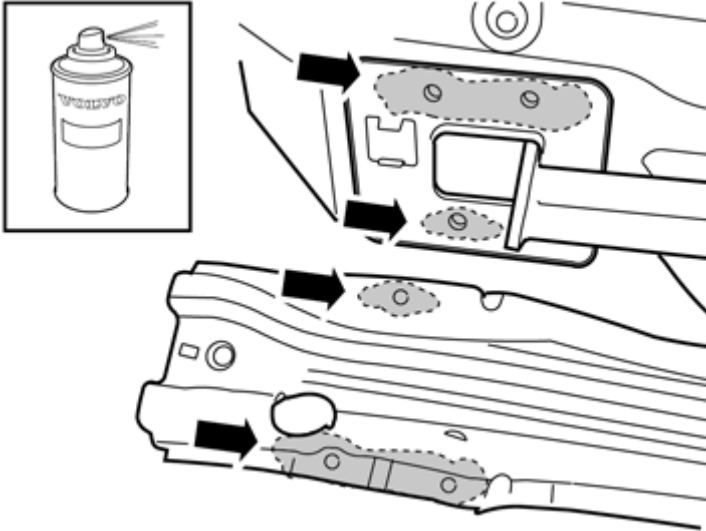
Reinstall the exhaust system rubber mounting in the body behind the centre silencer by the fuel tank.



Installation instructions, accessories

Volvo Car Corporation Gothenburg, Sweden

26



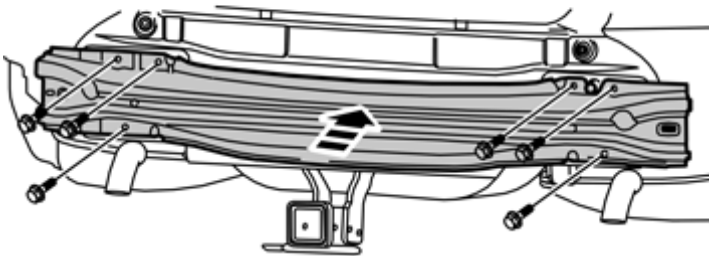
IMG-225408

Applies to all vehicles

Apply low viscosity rustproofing agent to the marked bare sheet surfaces on both sides of the collision member.

Also apply to the marked bare sheet surfaces on the rear edges of both side members.

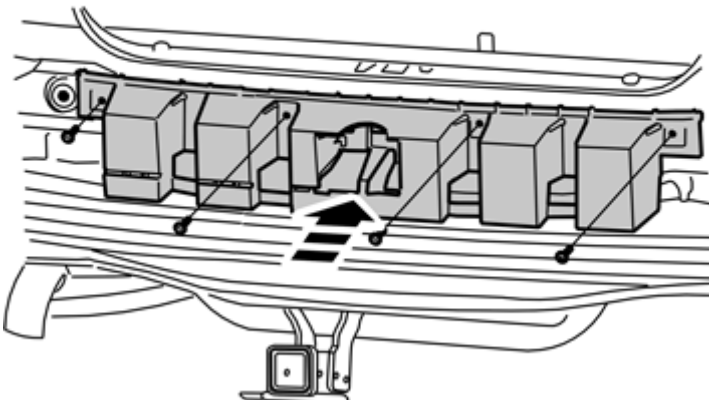
27



IMG-228970

Reinstall the impact member and tighten the screws to **48 Nm (35.5 lbf.ft.)**.

28



IMG-228971

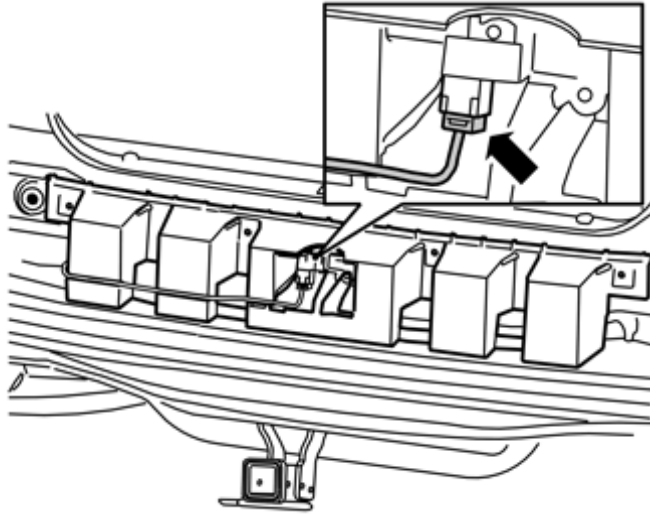
Reinstall the shock-absorbing section above the impact member and tighten it in using the existing screws.



Installation instructions, accessories

Volvo Car Corporation Gothenburg, Sweden

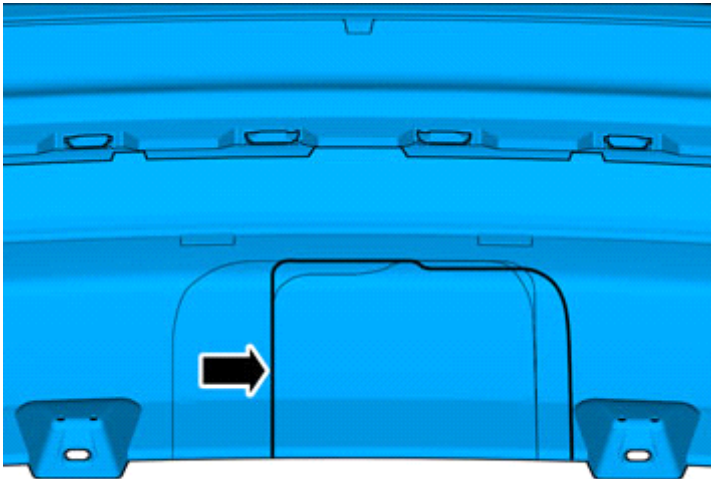
29



Reinstall the connector and cable to the shock-absorbing section above the impact member.

IMG-228972

30

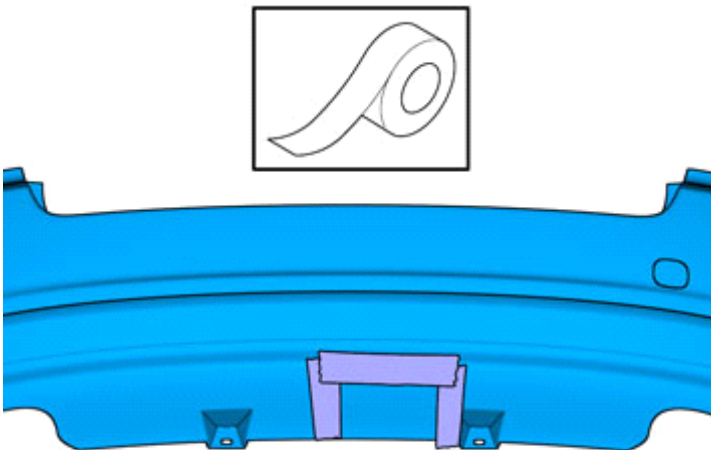


Accessory installation

Locate the relevant marking.

IMG-377119

31



Apply tape to the outside of the bumper cover, opposite the markings. This is done to protect the paint from the saw when cutting out the cut-out for the towbar.

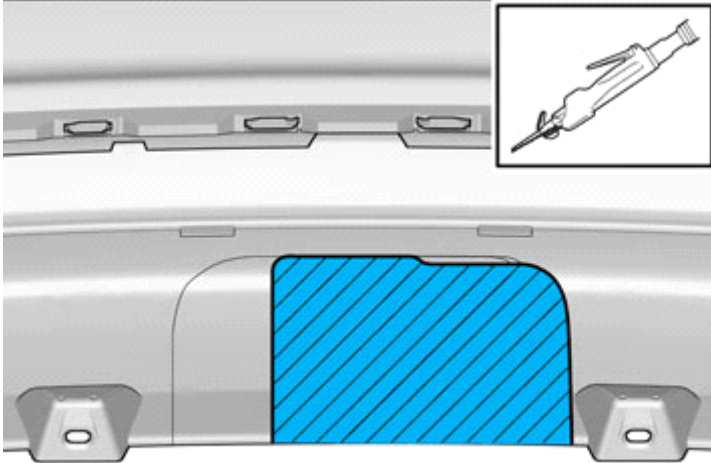
IMG-366181



Installation instructions, accessories

Volvo Car Corporation Gothenburg, Sweden

32



IMG-377120

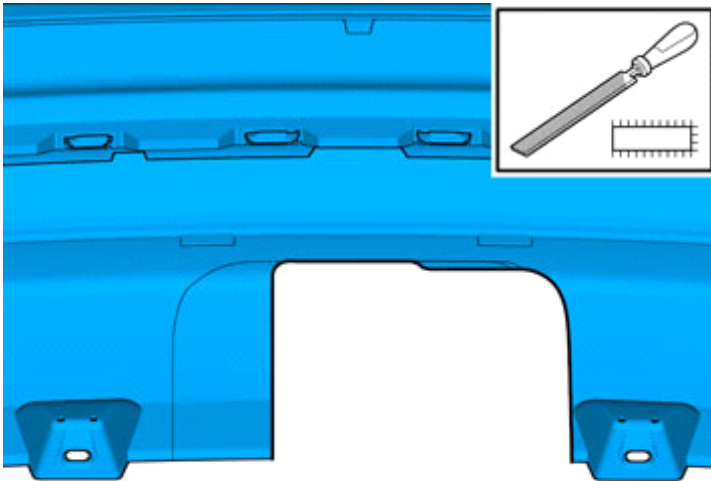
Note!

Do not damage the paintwork of the bumper cover.

Cut according to the markings.

Remove the tape.

33



IMG-377121

File down edges.

34

Installation

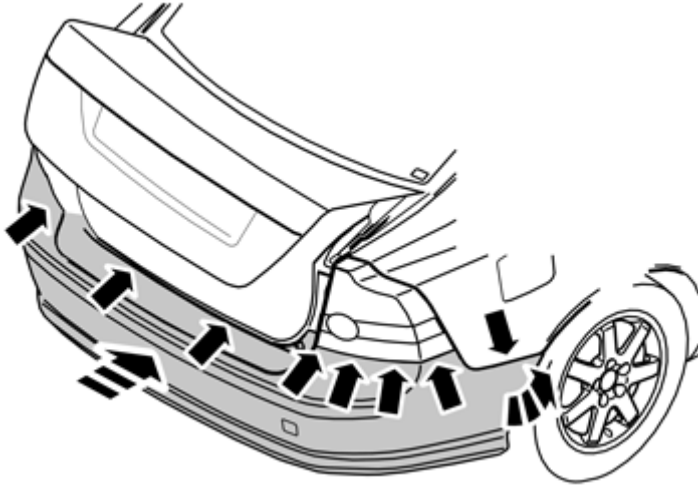
Install the towbar connector with cable harness in accordance with the applicable installation instructions before reinstalling the bumper cover.



Installation instructions, accessories

Volvo Car Corporation Gothenburg, Sweden

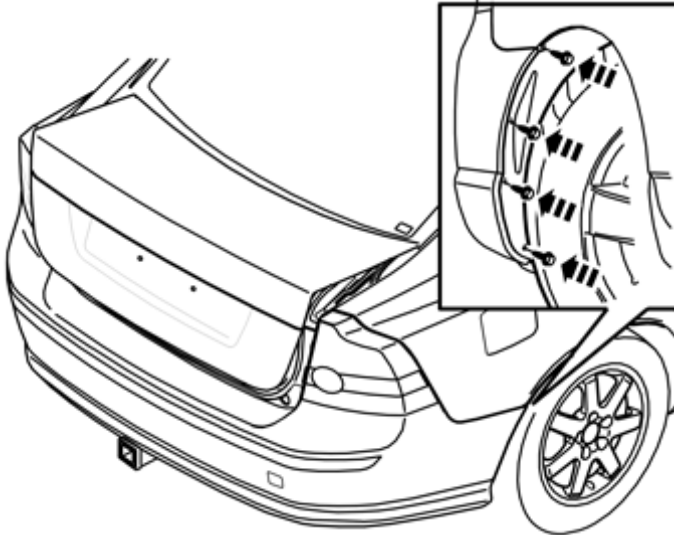
35



IMG-225413

Refit the bumper shell and plug in the parking assistance connector (if fitted). Make sure that all catches engage.

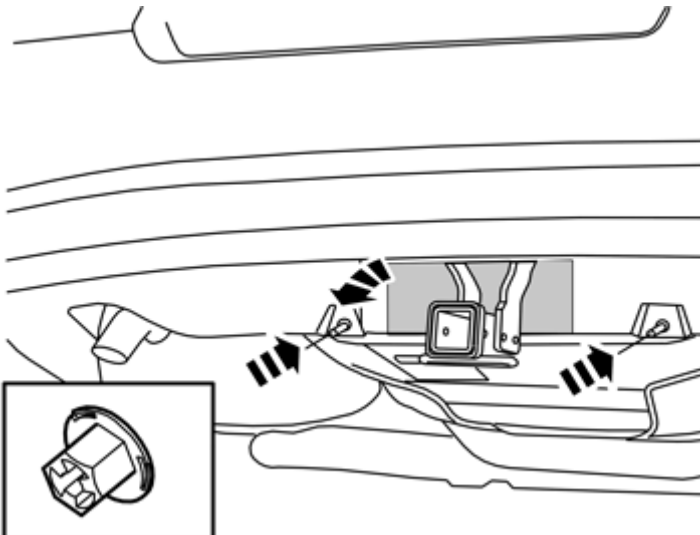
36



IMG-228974

Tighten the end faces of the bumper cover into the wing liners using the existing screws.

37



IMG-228975

Tighten in the bumper cover at the lower edge using the existing plastic nuts.

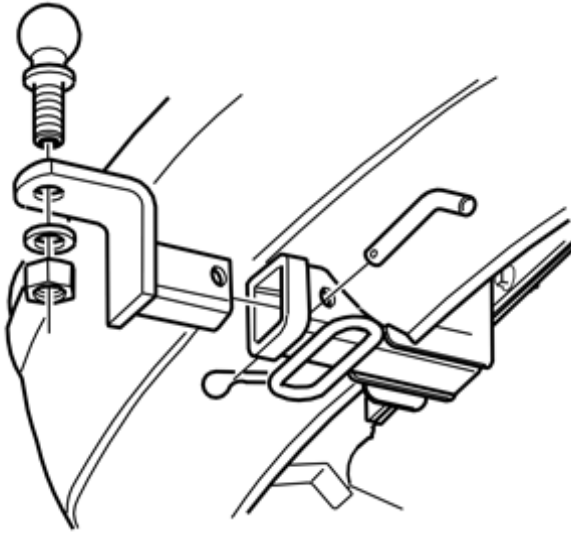
Remove the protective paper from the bumper cover.



Installation instructions, accessories

Volvo Car Corporation Gothenburg, Sweden

38



J8903208

Take the ball holder, ball, washer, nut, lock bolt and locking pin from the kit.

Insert the ball holder in the towing ball's square bracket until the holes in the ball holder and square bracket correspond.

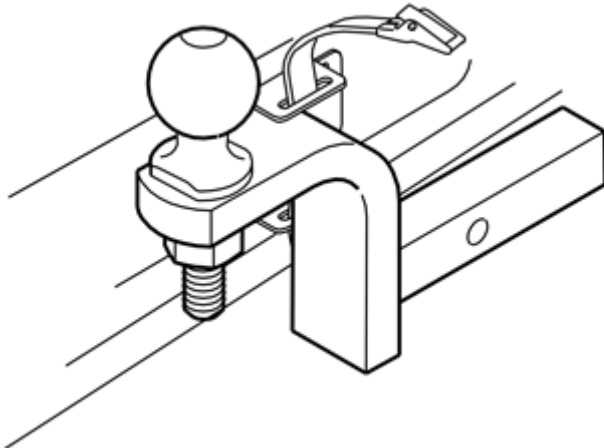
Slide the locking bolt into the hole.

Lock the other side using the locking pin.

Position the ball in the hole on the ball holder.

Install the washer and nut. Torque tighten to **244 Nm (180 lbf.ft.)**.

39



IMG-228976

Applies to vehicles without spare wheel

Take the bag from the kit and insert the towball, and then tie it together.

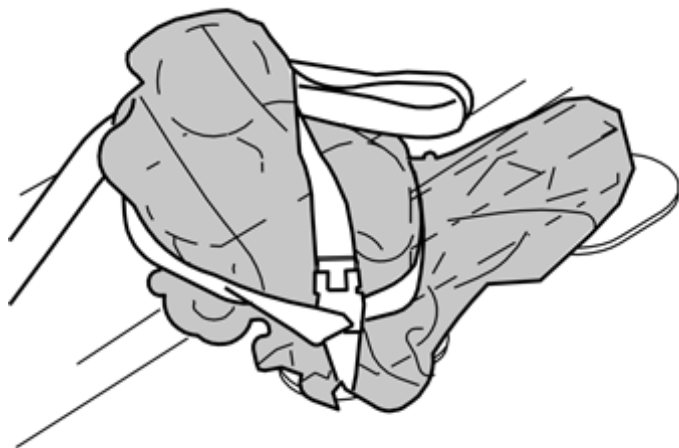
Wind the long strap twice around the bag and tighten firmly.



Installation instructions, accessories

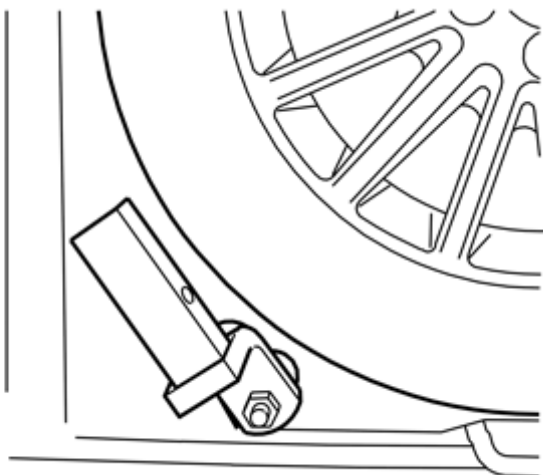
Volvo Car Corporation Gothenburg, Sweden

40



IMG-231220

41



IMG-228980

Applies to vehicles with spare wheel

Take the bag from the kit and insert the towball, and then tie it together.

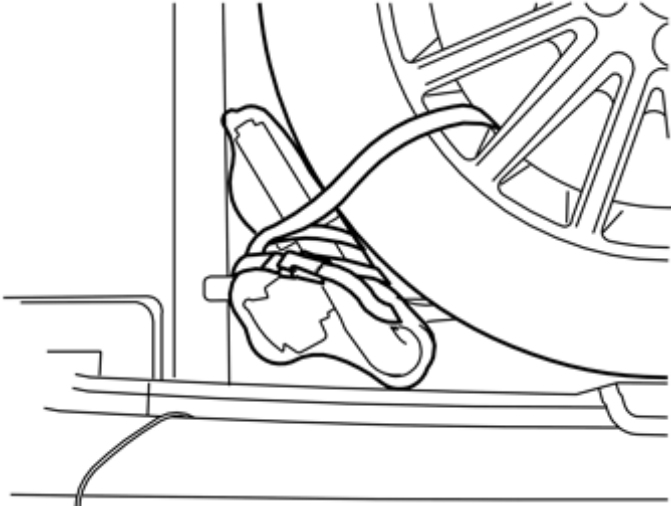
Wind the long strap twice around the bag and once around the wheel and tighten firmly.



Installation instructions, accessories

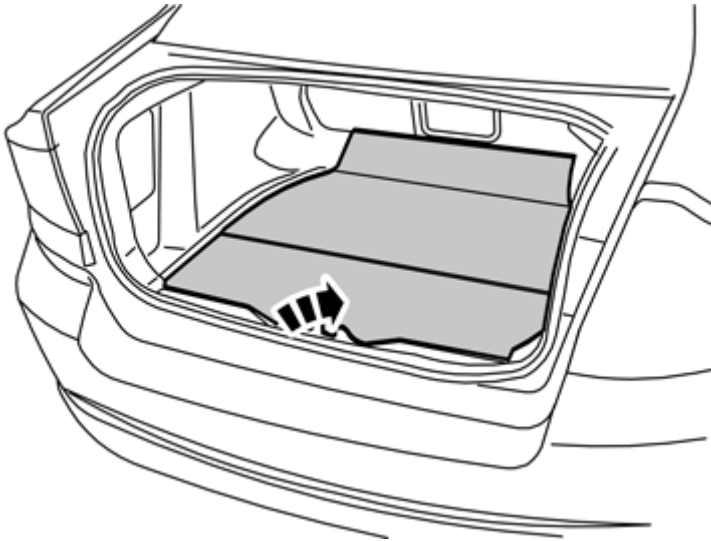
Volvo Car Corporation Gothenburg, Sweden

42



IMG-226150

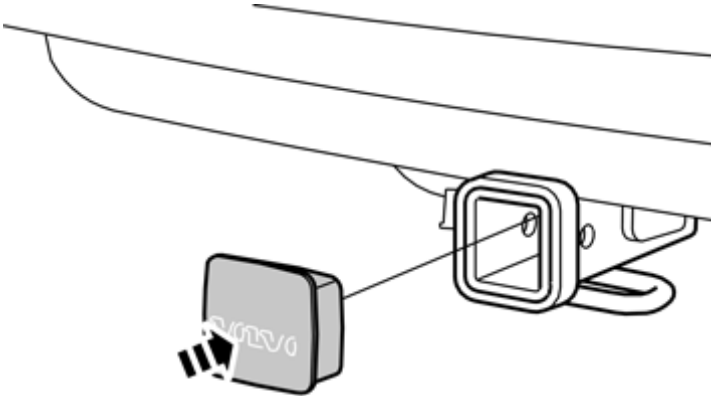
43



IMG-226908

Reinstall the cargo compartment carpet.

44



IMG-228982

Press the protective cover into the towing member's profile tube.



Installation instructions, accessories

Volvo Car Corporation Gothenburg, Sweden
